

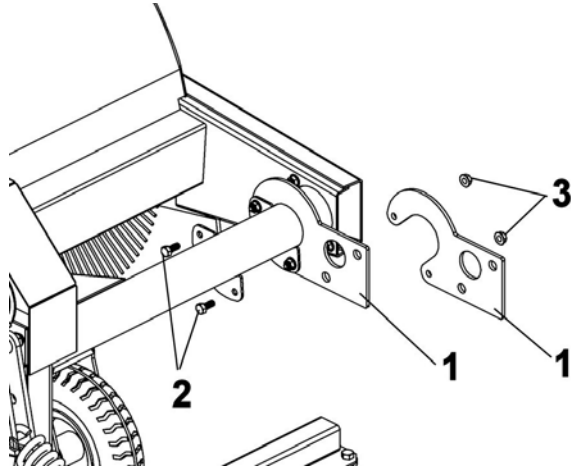


Instruction Sheet

SIDE WHEEL SUPPORT KIT #700523 INSTALLATION

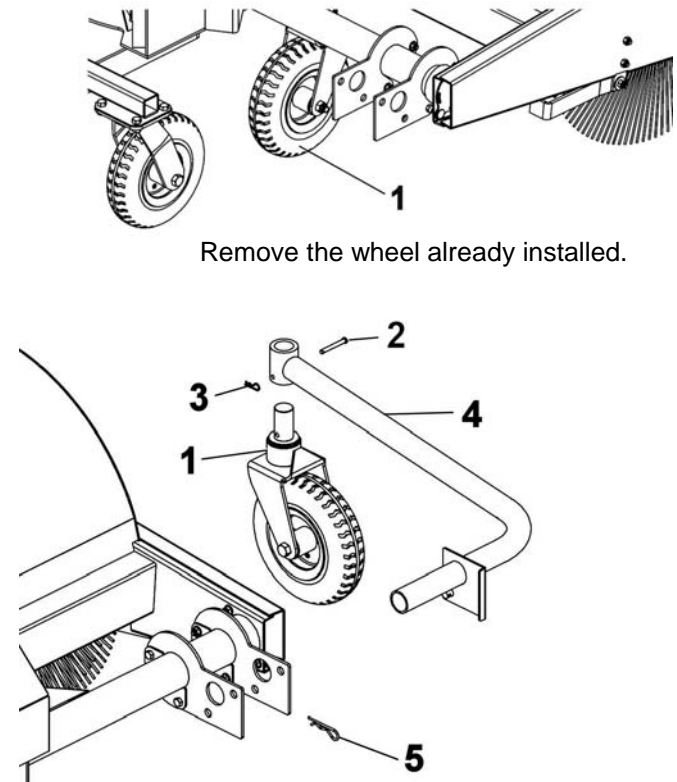
Install the kit according to the following instructions:

Install the support plates		
# Item	Description	Action
1	Support plates (qty 4)	Install towards the outside of the broom as shown (2 per side).
2	Hex bolt 5/16" x 3/4" (qty 8)	Insert as shown.
3	Flange nut 5/16" (qty 8)	Tighten firmly.
Repeat the operation on the other side.		



Install the support plates.

Install the wheel supports		
NOTE: Lift the broom with the winch.		
# Item	Description	Action
1	Wheel	Remove the wheel already installed on the frame of the broom & reinstall it on the wheel support (item 4).
2 & 3	Pin and hair pin 3mm	Secure the wheel on the support as shown.
4	Assembled wheel support.	Install as shown.
5	Hair pin 3mm	Secure the pin as shown.
Repeat the operation on the other side.		



Remove the wheel already installed.

Install the wheel supports on each side.