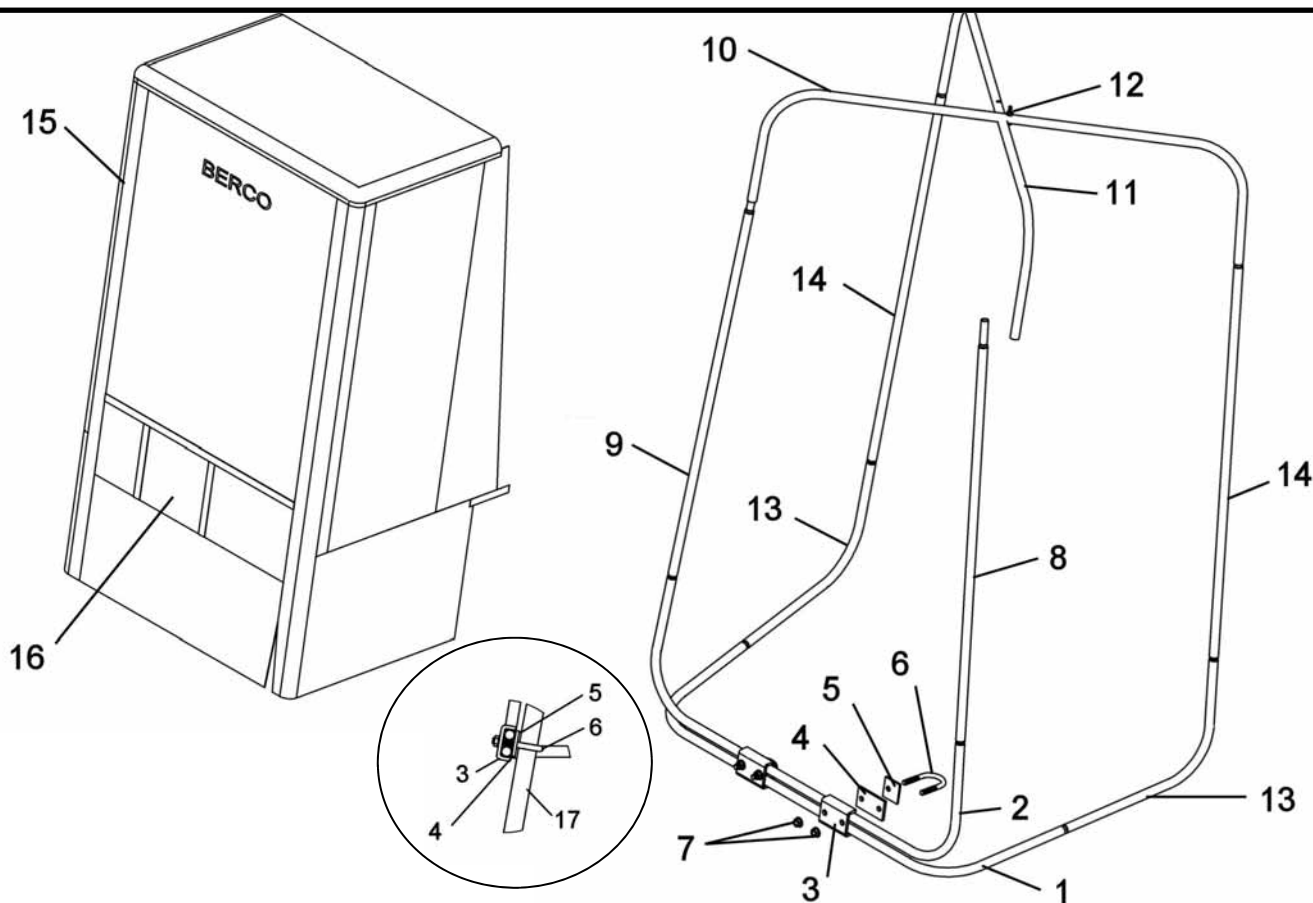




# Instructions

## CAB FOR WALK-BEHIND SNOWBLOWERS #700330-1 INSTALLATION



### CAB INSTALLATION :

- Install two front tubes (items 1 & 2) inside the bracket (item 3).
- Insert shim (item 4) then the other shim (item 5; the hole towards the inside) between the front tubes and snowblower handle bars (item 17).
- Insert a U-bolt (item 6) around the snowblower handle bars (item 17) towards the front of the snowblower going through the holes of the shims, between tubes (items 1 & 2) and through the brackets holes. Moderately tighten with two 5/16" flange nuts (item 7).
- Repeat installation instructions for the other side.**
- Insert the two posts (items 8 & 9) in the front upper tube (item 2).
- Assemble roof tubes (items 10 & 11) in a cross shape with a #10-24 x 1 1/4" screw (item 12). Tighten the screw slightly with a #10 nylon insert lock nut.
- Insert the roof tubes (items 10 & 11) in the front posts (items 8 & 9).
- Install the rear bottom tubes (item 13) and insert rear posts (item 14) connecting them to the roof tubes (items 10 & 11). Tighten screw 10-24 x 1 1/2" & nut tightly.
- Place the front of the frame (item 1) perpendicular to the ground (approximately 26.5" from ground) and tighten the nuts on the U bolts very firmly (it is normal for the top and bottom front tubes become slightly dented).
- Install the canvas (item 15) over the frame and secure with the hook-it bands.

**NOTE:** If your tractor is equipped with a headlight, open the small front window (item 16) and secure it on the dash board with the hook-it band included in this kit.