



**OWNER'S MANUAL**  
***MODEL NUMBER***

***700272-1 Subframe***  
***700275 Half P.T.O.***



***BERCO***  
***Subframe***  
***for***  
***CUB CADET 3000 SERIES***  
***Tractors***

- \* ASSEMBLY
- \* OPERATION

- \* REPAIR PARTS
- \* MAINTENANCE

**CAUTION:**

**READ & FOLLOW ALL SAFETY RULES & INSTRUCTIONS  
BEFORE OPERATING YOUR EQUIPMENT**

# WARRANTY

## LIMITED ONE YEAR ON BERCO TRACTOR ATTACHMENTS

For one year from date of purchase, Bercomac Limitée will repair or replace free of charge at Bercomac's option, any parts which are defective as a result of defective materials or faulty workmanship.

### **COMMERCIAL OR RENTAL USE:**

Warranty on Berco attachments used for commercial or rental purposes is limited to 90 days.

### **This warranty does NOT cover:**

- \* Wear items, such as shear pins and belts.
- \* Repairs due to customer abuse or neglect.
- \* Pre-delivery set-up.
- \* In home service.

Warranty service is available by returning the "Berco" attachment to the authorized dealer.

**BERCOMAC Limitée**  
46 Fortin, Adstock, Québec, Canada, G0N 1S0

# TABLE OF CONTENTS

	PAGE
INTRODUCTION .....	2
SAFETY PRECAUTIONS .....	3
ASSEMBLY	
Step 1: Subframe Installation .....	5
Step 2: Snowblower Installation .....	7
Rotary Broom Installation .....	10
Utility Blade Installation .....	13
MAINTENANCE	
Maintenance .....	15
Lubrication .....	15
End of Season Storage .....	15
DISMOUNTING	
Dismounting the Subframe .....	16
TORQUE SPECIFICATION TABLE .....	17
PARTS BREAKDOWN AND LISTS	
Subframe .....	18
Half P.T.O. ....	20
ATTACHMENTS .....	21
TROUBLESHOOTING	
See attachment owner's manual for this section. (Snowblower, Blade, Rotary Broom)	

# INTRODUCTION

## TO THE PURCHASER

This new attachment was carefully designed to give years of dependable service. This manual has been provided to assist in the safe operation and servicing of your attachment.

**NOTE:** All photographs and illustrations in the manual may not necessarily depict the actual models or attachment, but are intended for reference only and are based on the latest product information available at the time of publication.

Familiarize yourself fully with the safety recommendations and operating procedures before putting the machine to use. Carefully read, understand and follow these recommendations and insist that they be followed by those who will use this attachment.



**THIS SAFETY ALERT SYMBOL IDENTIFIES AN IMPORTANT SAFETY MESSAGE IN THIS MANUAL THAT HELPS YOU AND OTHERS AVOID PERSONAL INJURY OR EVEN DEATH. DANGER, WARNING, AND CAUTION ARE SIGNAL WORDS USED TO IDENTIFY THE LEVEL OF HAZARD. HOWEVER, REGARDLESS OF THE HAZARD, BE EXTREMELY CAREFUL.**

**DANGER:** Signals an extreme hazard that will cause serious injury or death if recommended precautions are not followed.

**WARNING:** Signals a hazard that may cause serious injury or death if the recommended precautions are not followed.

**CAUTION:** Signals a hazard that may cause minor or moderate injury if the recommended precautions are not followed.

Record your attachment serial number and purchase date in the section reserved below (there is no serial number on the subframe). Your dealer requires this information to give you prompt, efficient service when ordering replacement parts. Use only genuine parts when replacements are required.

If warranty repairs are required please present this registration booklet and original sales invoice to your selling dealer for warranty service.

**This manual should be kept for future reference.**

**SERIAL NUMBER :** \_\_\_\_\_

**PURCHASE DATE :** \_\_\_\_\_

**In this manual, right and left sides are determined by sitting on the tractor seat facing forward.**

In this manual, "attachment" means accessories that you install on the tractor, such as, snowblower, rotary broom, blade, rotary tiller, cab, subframe, etc...

# SAFETY PRECAUTIONS

Careful operation is your best insurance against an accident. Read this section carefully before operating the tractor and attachment. All operators, no matter how experienced they may be, should read this and other manuals related to the tractor and attachments before operating. It is the owner's legal obligation to instruct all operators in safe operation.

## **TRAINING**



This symbol, "Safety Alert Symbol", is used throughout this manual and on the attachment safety labels to warn of the possibility of personal injury. Please take special care in reading and understanding the safety precautions before operating the attachment or the tractor.

1. Read this Owner's Manual carefully. Be thoroughly familiar with the controls and proper use of the attachment. Know how to stop the unit and disengage the controls quickly.
2. Never allow children to operate attachment. Never allow adults to operate attachment without proper instructions.
3. No one should operate the unit while intoxicated or while taking medication that impairs the senses or reactions.
4. Keep the area of operation clear of all persons, particularly small children and pets.

## **PREPARATION**

1. Disengage all clutches and shift into neutral before starting engine.
2. Handle fuel with care, it is highly flammable.
  - a) Use approved fuel container.
  - b) Never add fuel to a running engine or hot engine
  - c) Fill fuel tank outdoors with extreme care. Never fill fuel tank indoors.
  - d) Replace fuel cap securely and wipe up spilled fuel.
3. Never attempt to make any adjustments while engine is running (except where specifically recommended by manufacturer).

4. Always wear safety glasses or eye shields during operation or while performing an adjustment or repairs to protect eyes from foreign objects that may be thrown from the machine.

## **OPERATION**

1. Do not run engine indoors except when starting engine and transporting attachment, in or out of building. Do not operate or let motor run in a storage area without ventilation because gas contains carbon monoxide which is odourless, colourless and can cause death.
2. Do not carry passengers on attachment or tractor.
3. Take all possible precautions when leaving the machine unattended. Lower the attachment, shift into neutral, set the parking brake, stop the engine and remove the key. Wait for all moving parts to stop.
4. You must use manufacturer approved rear counterweights, minimum 100 lbs., for better traction and safety at all times when you have an attachment installed in front.
5. Never operate the attachment without good visibility or light.

# SAFETY PRECAUTIONS

## MAINTENANCE AND STORAGE

1. Check shear bolts, mounting bolts, etc..., at frequent intervals for proper tightness to be sure attachment is in safe working condition.
2. Never store the machine with fuel in the tank inside a building where ignition sources are present, such as hot water tanks, space heaters, clothes dryers and the like. Allow engine to cool before storing in any enclosure.
3. Maintain or replace safety and instructions labels, as necessary.

**WHENEVER YOU SEE THIS SYMBOL**



**IT MEANS:**

**WARNING!**

**BECOME ALERT !**

**YOUR SAFETY IS INVOLVED!**



**WARNING**



**FOR YOUR SECURITY:**

**Read the attachment owner's manual for safety precautions and rules.**

**Follow the assembly and operation instructions.**

# ASSEMBLY

## STEP 1

### SUBFRAME INSTALLATION:

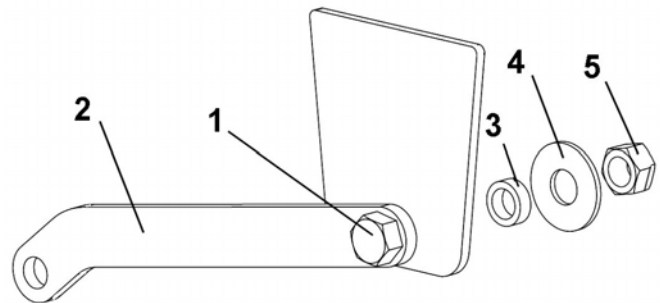
**IMPORTANT: TORQUE ALL BOLTS ACCORDING TO TORQUE SPECIFICATION TABLE (SEE TABLE OF CONTENTS) WHEN STATED: TIGHTEN FIRMLY. REFER TO PARTS BREAKDOWN SECTION FOR PARTS IDENTIFICATION.**

**NOTE:** The mower deck must be removed before installing the subframe.

Remove the nuts from the pivot shoulder bolts (item 1) that hold the mower's lift arms (item 2).

Install the sleeves (item 3), 9/16" flat washers (item 4) and 1/2" locknuts (item 5) supplied with the kit on the pivot bolts.

Tighten securely.



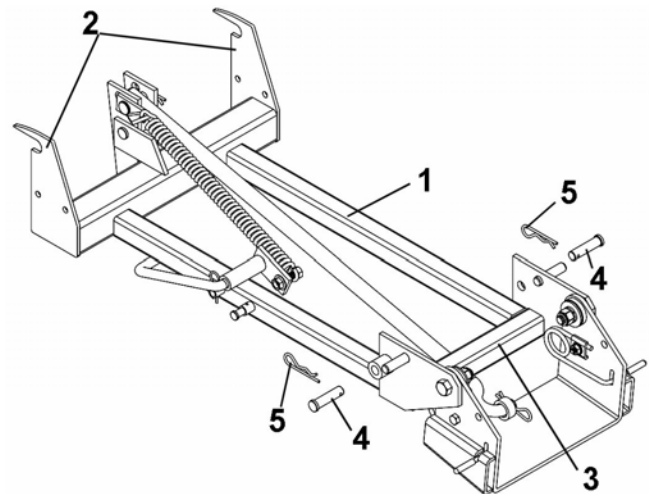
Install sleeves

Install the subframe (item 1) on the tractor by hooking the rear portion (item 2) onto the sleeves just installed.

Lift the front portion of subframe (item 3) and hook up onto the front tractor hitch.

Secure in place with two 1/2 x 1 3/4" pins (item 4) and two 3 mm hair pins (item 5).

**NOTE:** The 1/2 x 1 3/4" pins should be in place at all times when subframe is installed. If not, the mounting pins will bend and the subframe may drop and could damage the tractor's frame.



Install subframe

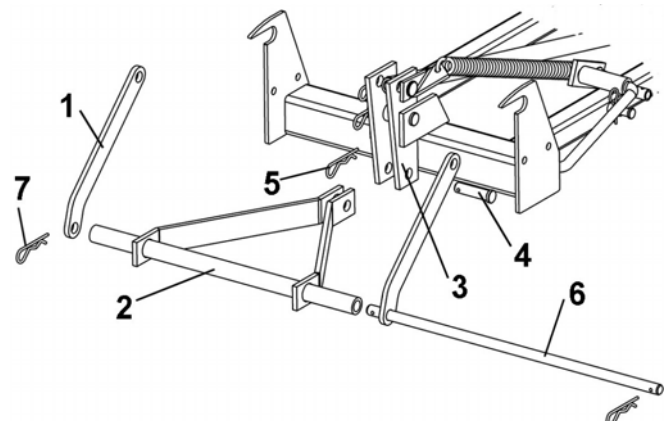
Lower the mower lift arms (item 1) and install the lift bracket (item 2) to the lever (item 3) with a 1/2 x 1 3/4" pin (item 4).

Secure with a 3 mm hair pin (item 5).

Attach the rear portion of the lift bracket (item 2) to the mower lift arms (item 1) with a 1/2 x 17" pin (item 6).

Secure with two 3 mm hair pins (item 7)

Tighten securely.



Install the lift bracket

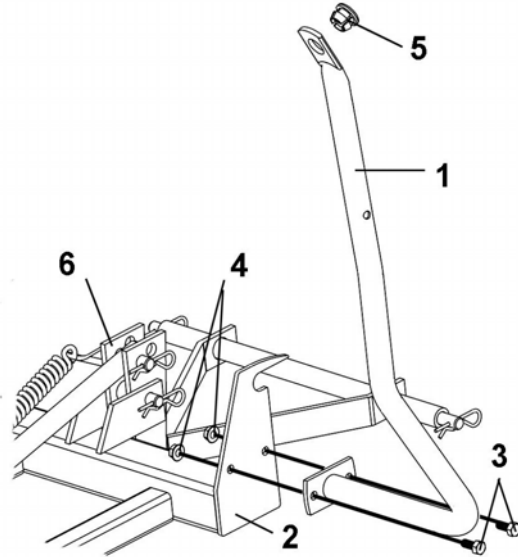
# ASSEMBLY

Install the handle support (item 1) to the subframe (item 2) with two 5/16 x 3/4" hex bolts (item 3) and flange nuts (item 4).

Tighten securely.

Insert the plastic grommet (item 5) into the handle support.

**NOTE:** The lever (item 6) has two sets of holes to be able to install the push tube. The rear hole is for the snowblower and rotary broom and the front hole is for the blade if more lift is needed.

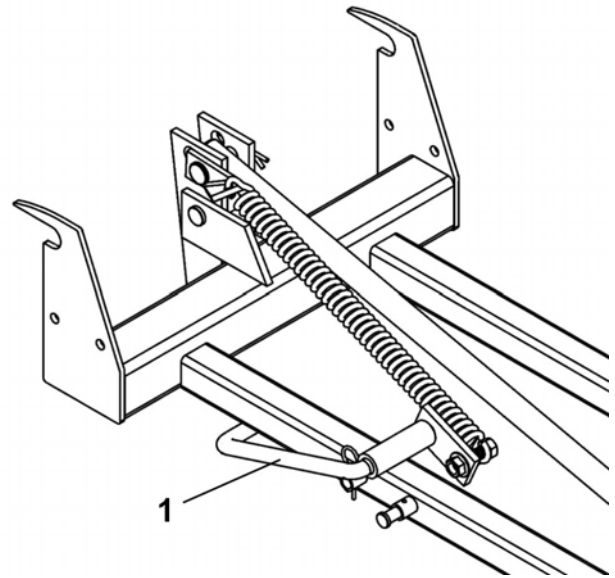


Install handle support

**NOTE:** This subframe is equipped with a helper spring for the lift mechanism. The tension on the spring must be released to be able to install or to dismount the attachments. Tension can be released on the spring when using the blade for example to scrape harder.

Release the tension on the spring by lifting the hydraulic, remove the pin and move the arm (item 1) towards the front.

Secure with a pin and hair pin.



## CAUTION



**TO PREVENT INJURIES:**

Always raise the attachment to reduce the tension on the spring before applying or releasing tension on the helper spring. Firmly hold the handle when you release the tension because the arm will kick back due to the tension on the spring.



## WARNING



**TO PREVENT INJURIES AND FOR MORE TRACTION WHEN USING AN ATTACHMENT:**

- Rear counterweight of 100 lbs. minimum is required to counterbalance the attachment's weight.
- Tractor manufacturer approved tire chains are required.
- Do not operate on a slope greater than 10°.
- When dismounting the attachment remove rear counterweights.

# ASSEMBLY

## STEP 2

### **SNOWBLOWER INSTALLATION:**

Refer to snowblower owner's manual, parts breakdown section for parts identification.



## WARNING



### **FOR YOUR SECURITY:**

Read the snowblower's owner's manual for safety precautions and rules.

Follow the assembly and operation instructions.

Insert the male section of the driveline into the snowblower's driveline by aligning the stamped mark (item 1) with the large groove (item 2).

Only one position allows the shafts to be inserted into one another.



## WARNING



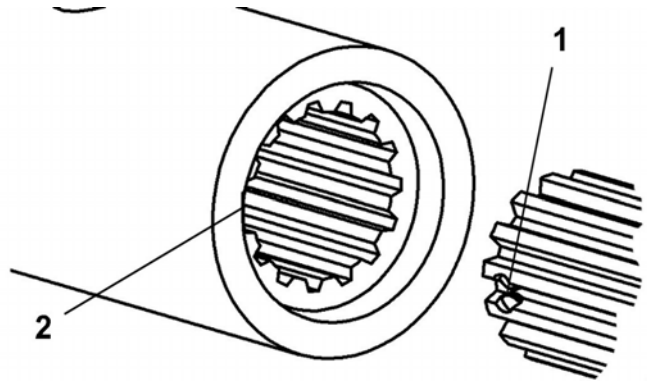
### **TO PREVENT INJURIES:**

Stop the motor.

Apply parking brakes.

Remove the ignition key.

Disconnect the wire from the spark plug(s) and keep away from spark plug(s) to prevent accidental starting.



Install the driveline



## DANGER



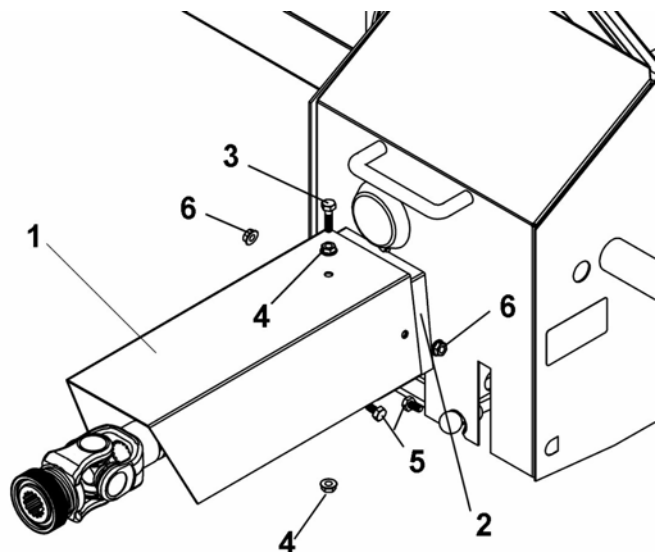
If the driveline is not completely covered, be sure a guard extension is installed.

Do not operate without driveline completely covered by the shield.

Install the guard extension (item 1) on the reduction cover (item 2) with a 1/4 x 1" hex bolt (item 3) and two flange nuts (item 4) one on top and one underneath.

Secure with two 1/4 x 1/2" hex bolts (item 5) and flange nuts (item 6)

Tighten lightly.



Install the guard extension



## DANGER



**ROTATING DRIVELINE**  
Contact can cause death.  
**KEEP AWAY**

Do not operate without:

All driveline, tractor & equipment shields in place.

Driveline securely attached at both ends.

# ASSEMBLY

**NOTE:** This subframe is equipped with a helper spring for the lift mechanism. The tension on the spring must be released to be able to install or to dismount the attachments. Tension can be released on the spring when using the blade for example to scrape harder.

Release the tension on the spring by lifting the hydraulic, remove the pin (item 2) and move the arm (item 3) towards the front.

Secure with a pin (item 2) and hair pin.



## CAUTION



### TO PREVENT INJURIES:

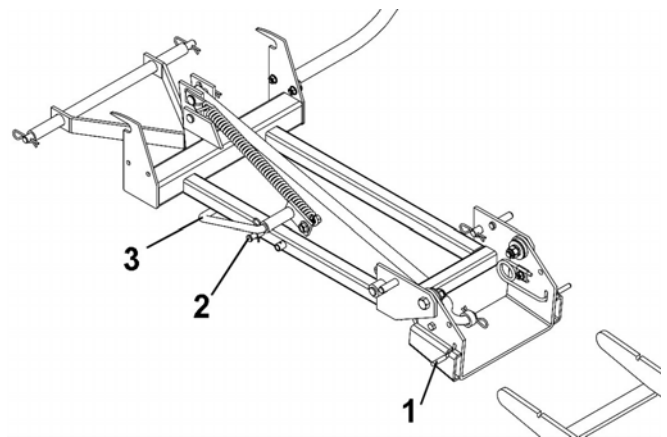
**Always raise the attachment to reduce the tension on the spring before applying or releasing tension on the helper spring. Firmly hold the handle when you release the tension because the arm will kick back due to the tension on the spring.**

Attach the snowblower to the subframe as shown.

Make sure the snowblower is pushed in until locked into place by the springs (item 1).

Apply tension on the spring by lifting the attachment, remove the pin (item 2) and move the arm (item 3) towards the back.

Secure with a pin (item 2) and hair pin.



Move tension arm and attach snowblower

Connect the driveline to the tractor's P.T.O. spline shaft.

Make sure that the driveline yoke is securely attached to the tractor's P.T.O.

# ASSEMBLY

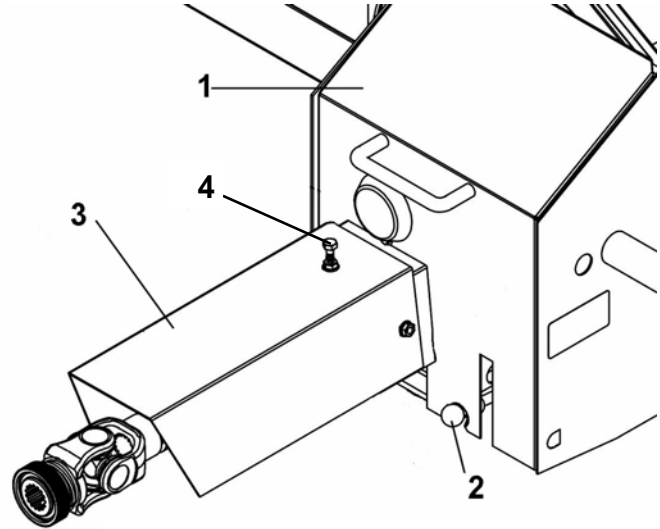
Be sure that the reduction cover (item 1) is in place and secured with the rubber latch (item 2).

Lower the snowblower to the ground

Adjust the extension guard (item 3) by screwing the bolt (item 4) so that it is parallel with the driveline.

Tighten firmly.

Be sure that the extension guard doesn't touch the driveline when the snowblower is raised.



Secure and adjust cover and extension guard

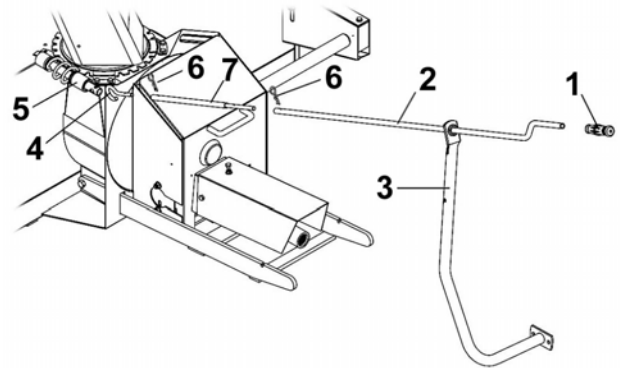
Install the handgrip (item 1) on the handle (item 2).

Insert the handle through the handle support (item 3) as shown.

Insert the handle hook (item 4) on the rotation worm (item 5).

Insert the handle hook into the handle

Secure with a 2.5 mm hair pin (item 6).



Install handle

## **VERIFY SKID SHOE ADJUSTMENT:**

**LEVEL PAVED SURFACE:** Adjust skid shoes to allow 3/16" to 1/4" clearance (A) between cutting edge and surface.

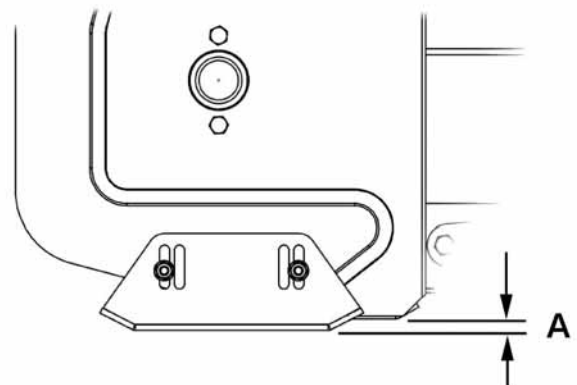
**UNEVEN OR GRAVEL SURFACE:** Adjust skid shoes to allow 1/2" to 5/8" clearance (A) between cutting edge and surface.

## **VERIFY TIRE PRESSURE:**

Attachments should raise 3" to 4" above ground (no more, no less) if not, check and adjust tractor tire pressure as follows:

Front tires: 15 - 20 psi  
Back tires: 7 - 8 psi

Tire pressure must be even on both sides of tractor.



Adjust skid shoes

# ASSEMBLY

## **ROTARY BROOM INSTALLATION:**

Refer to rotary broom owner's manual, parts breakdown section for parts identification.



## **WARNING**



### **FOR YOUR SECURITY:**

Read the rotary broom owner's manual for safety precautions and rules.

Follow the assembly and operation instructions.

Insert the male section of the driveline into the rotary broom's driveline by aligning the stamped mark (item 1) with the large groove (item 2).

Only one position allows the shafts to be inserted into one another.



## **WARNING**



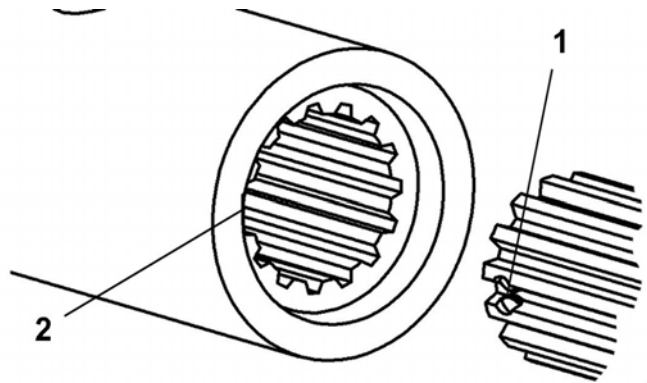
### **TO PREVENT INJURIES:**

Stop the motor.

Apply parking brakes.

Remove the ignition key.

Disconnect the wire from the spark plug(s) and keep away from spark plug(s) to prevent accidental starting.



Install the driveline



## **DANGER**



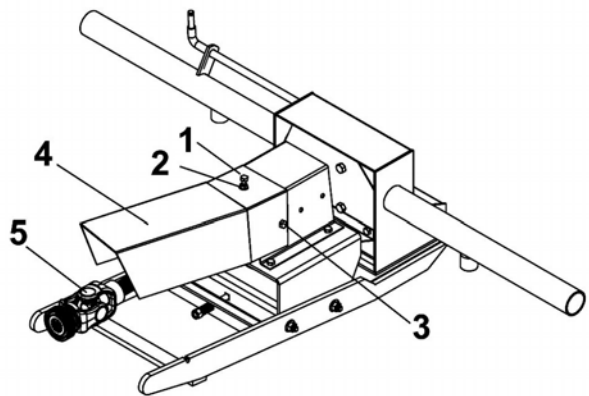
If the driveline is not completely covered, be sure a guard extension is installed.

Do not operate without driveline completely covered by the shield.

Install the extension guard (item 4) on the broom's guard with a 1/4 x 1" hex bolt (item 1) and two flange nuts (item 2) one on top and one underneath.

Secure with two 1/4 x 1/2" hex bolts (item 3) and flange nuts.

Tighten lightly.



Install the extension guard



## **DANGER**



**ROTATING DRIVELINE**  
Contact can cause death.  
**KEEP AWAY**

Do not operate without:

- All driveline, tractor & equipment shields in place.
- Driveline securely attached at both ends.

# ASSEMBLY

Release the tension on the spring by lifting the hydraulic, remove the pin (item 2) and move the arm (item 3) towards the front.

Secure with a pin (item 2) and hair pin.



## CAUTION



### TO PREVENT INJURIES:

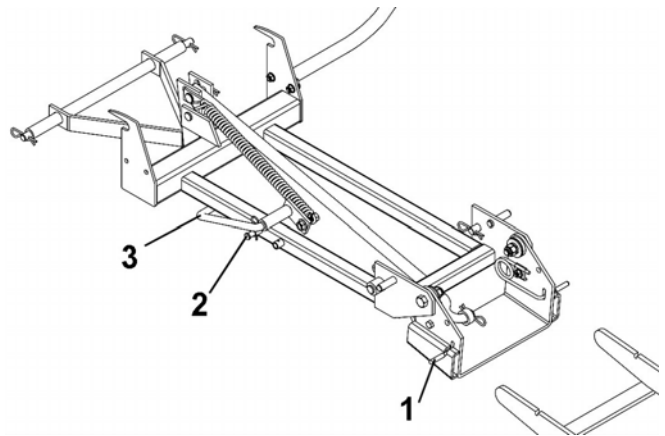
**Always raise the attachment to reduce the tension on the spring before applying or releasing tension on the helper spring. Firmly hold the handle when you release the tension because the arm will kick back due to the tension on the spring.**

Attach the rotary broom to the subframe as shown.

Make sure the rotary broom is pushed in until locked into place by the springs (item 1).

Apply tension on the spring by lifting the attachment, remove the pin (item 2) and move the arm (item 3) towards the back.

Secure with a pin (item 2) and hair pin.



Move tension arm and attach rotary broom

Connect the driveline to the tractor's P.T.O. spline shaft.

Make sure that the driveline yoke is securely attached to the tractor's P.T.O.

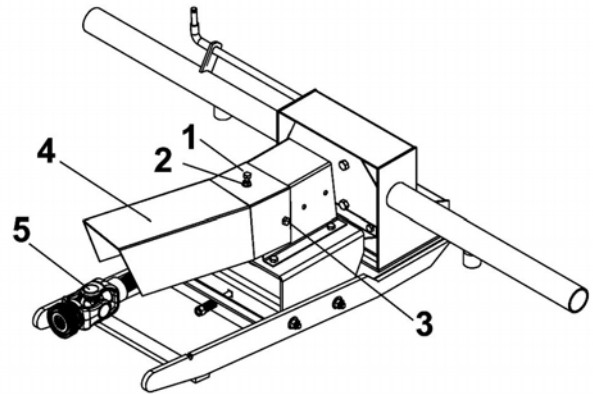
# ASSEMBLY

Lower the rotary broom to the ground.

Adjust the extension guard (item 4) by screwing the bolt (item 1) so that it is parallel with the driveline.

Tighten firmly.

Be sure that the guard doesn't touch the driveline when the rotary broom is raised.



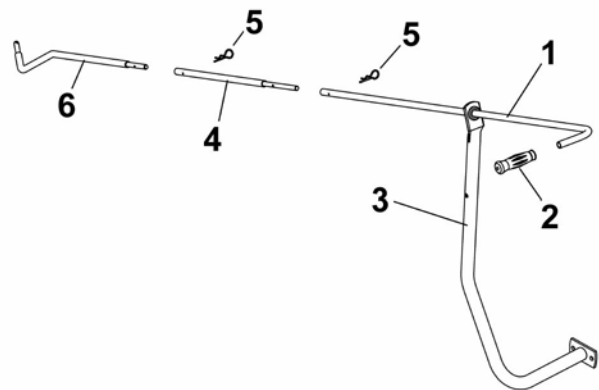
Adjust the extension guard

Install the handgrip (item 2) on the handle (item 1).

Insert the handle (item 1) through the support (item 3) and onto the extension (item 4) as shown.

Secure with a 2.5 mm hair pin (item 5).

Insert the extension (item 4) into the control rod (item 6) and secure with a 2.5 mm hair pin (item 5).



Install handle

## **VERIFY TIRE PRESSURE:**

Attachments should raise 3" to 4" above ground (no more, no less) if not, check and adjust tractor tire pressure as follows:

Front tires:	15 - 20 psi
Back tires:	7 - 8 psi

Tire pressure must be even on both sides of tractor.

# ASSEMBLY

## UTILITY BLADE INSTALLATION:

Refer to blade owner's manual, parts breakdown section for parts identification.



## WARNING



### FOR YOUR SECURITY:

Read the blade owner's manual for safety precautions and rules.

Follow the assembly and operation instructions.

Release the tension on the spring by lifting the hydraulic, remove the pin (item 2) and move the arm (item 3) towards the front.

Secure in place with a pin (item 2) and a hair spring.



## CAUTION



### TO PREVENT INJURIES:

Always raise the attachment to reduce the tension on the spring before applying or releasing tension on the helper spring. Firmly hold the handle when you release the tension because the arm will kick back due to the tension on the spring.

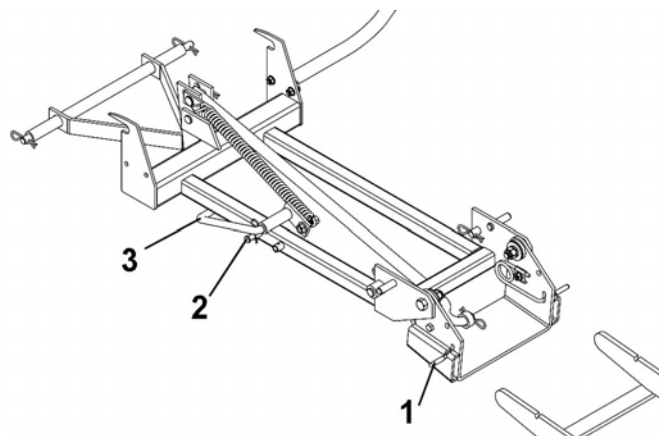
Attach the blade to the subframe as shown.

Make sure the blade is pushed in until locked into place by the springs (item 1).

Apply tension on the spring by lifting the attachment, remove the pin (item 2) and move the arm (item 3) towards the back.

Secure with a pin (item 2) and hair pin.

**NOTE:** Tension can be released on the spring when using the blade to scrape harder.



Move tension arm and attach blade

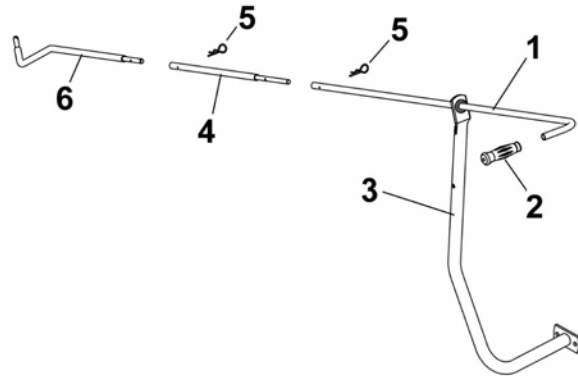
# ASSEMBLY

Install the handgrip (item 2) on the handle (item 1).

Insert the handle through the support (item 3) and onto the extension (item 4) as shown.

Secure with a 2.5 mm hair pin (item 5).

Insert the extension (item 4) into the control rod (item 6) and secure with a 2.5 mm hair pin (item 5).



Install handle

## VERIFY TIRE PRESSURE:

Attachments should raise 3" to 4" above ground (no more, no less) if not, check and adjust tractor tire pressure as follows:

Front tires:	15 - 20 psi
Back tires:	7 - 8 psi

Tire pressure must be even on both sides of tractor.

# MAINTENANCE



## MAINTENANCE



- a) Check mounting bolts at frequent intervals for proper tightness to be sure the equipment is in safe working condition.
- b) Apply oil at all pivot points.

## END OF SEASON STORAGE

- a) Clean and repaint all parts from which the paint has worn.
- b) Apply oil at all pivot points.
- c) Inspect and replace all defective parts before next season.

## LUBRICATION:

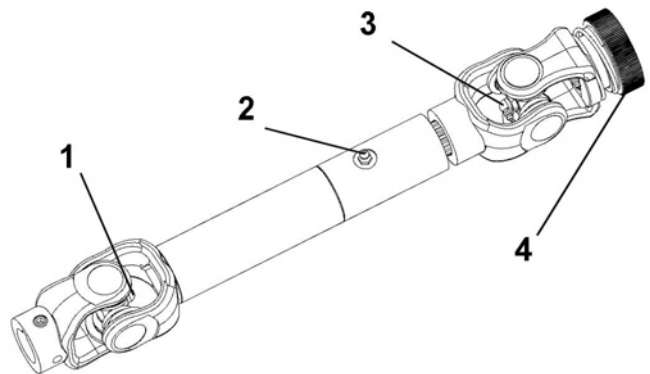
	<b>WARNING</b>	
<b>TO PREVENT INJURIES:</b> Stop the motor. Apply parking brakes. Remove the ignition key. Disconnect the wire from the spark plug(s) and keep away from spark plug(s) to prevent accidental starting.		

	<b>DANGER</b>	
<b>ROTATING DRIVELINE</b> Contact can cause death. <b>KEEP AWAY</b>		
<b>Do not operate without:</b> -All driveline, tractor & equipment shields in place. -Driveline securely attached at both ends.		

Grease every eight hours of operation all the following parts:  
-Item 1  
-Item 2

Grease every sixteen hours of operation all the following parts:  
-Item 1  
-Item 2  
-Item 3  
-Item 4

See each attachment manual for their maintenance.



## DISMOUNTING

### **DISMOUNTING THE SUBFRAME:**

See attachment owner's manual (Snowblower, Rotary broom and Blade) for dismounting instructions.



### **WARNING**



#### **TO PREVENT INJURIES:**

**Stop the motor.**

**Apply parking brakes.**

**Remove the ignition key.**

**Disconnect the wire from the spark plug(s) and keep away from spark plug(s) to prevent accidental starting.**

- a) Remove the rear counterweight if installed.
- b) Lower the hydraulic lift.
- c) Detach the lift bracket by removing the hair pin and pull out the pin.
- d) Remove the two pins and hair pins that hold the front portion of the subframe.
- e) Place a piece of wood under the back of the subframe to prevent the subframe from dropping to the ground.
- f) Unlock the tractor hitch and pull out the subframe.

# TORQUE SPECIFICATION TABLE

## GENERAL TORQUE SPECIFICATION TABLE

### USE THE FOLLOWING TORQUES WHEN SPECIAL TORQUES ARE NOT GIVEN

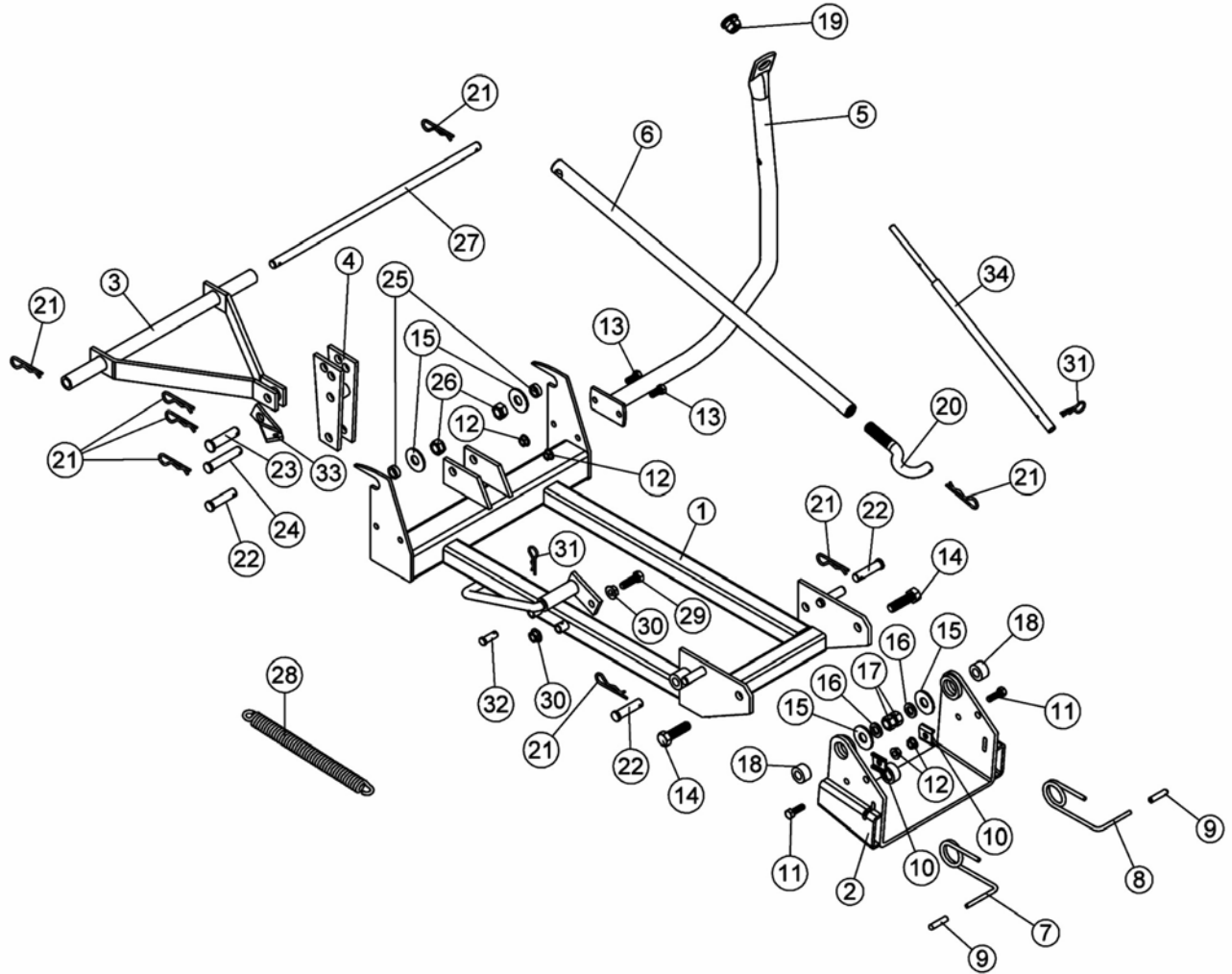
NOTE: These values apply to fasteners as received from supplier, dry or when lubricated with normal oil. They do not apply if special graphited or moly disulphide greases or other extreme pressure lubricants are used. This applies to both UNF and UNC threads.

SEE Grade No.		2				5				8 *			
BOLT HEAD IDENTIFICATION MARKS AS PER GRADE NOTE MANUFACTURING MARKS WILL VARY		TORQUE				TORQUE				TORQUE			
BOLT SIZE		POUNDS FEET		NEWTON-METERS		POUNDS FEET		NEWTON-METERS		POUNDS FEET		NEWTON-METERS	
Inches	Millimetre	Min.	Max.	Min.	Max.	Min.	Max.	Min.	Max.	Min.	Max.	Min.	Max.
1/4"	6.35	5	6	6.8	8.13	9	11	12.2	14.9	12	15	16.3	30.3
5/16"	7.94	10	12	13.6	16.3	17	20.5	23.1	27.8	24	29	32.5	39.3
3/8"	9.53	20	23	27.1	31.2	35	42	47.5	57	45	54	61	73.2
7/16"	11.11	30	35	40.7	47.4	54	64	73.2	86.8	70	84	94.9	113.9
1/2"	12.7	45	52	61	70.5	80	96	108.5	130.2	110	132	149.2	179
9/16"	14.29	65	75	88.1	101.6	110	132	149.2	179	160	192	217	260.4
5/8"	15.88	95	105	128.7	142.3	150	180	203.4	244.1	220	264	298.3	358
3/4"	19.05	150	185	203.3	250.7	270	324	366.1	439.3	380	456	515.3	618.3
7/8"	22.23	160	200	216.8	271	400	480	542.4	650.9	600	720	813.6	976.3
1"	25.4	250	300	338.8	406.5	580	696	786.5	943.8	900	1080	1220.4	1464.5

\*Thick nuts must be used with grade 8 bolts

METRIC BOLT TORQUE SPECIFICATIONS							
Size Screw	Grade No.	Pitch (mm)	COARSE THREAD		FINE THREAD		
			Pounds Feet	Newton-Meters	Pitch (mm)	Pounds Feet	Newton-Meters
M6	4T	1.00	3.6 - 5.8	4.9 - 7.9	-	-	-
	7T		5.8 - 9.4	7.9 - 12.7		-	-
	8T		7.2 - 10	9.8 - 13.6		-	-
M8	4T	1.25	7.2 - 14	9.8 - 19	1.00	12 - 17	16.3 - 23
	7T		17 - 22	23 - 29.8		19 - 27	25.7 - 36.6
	8T		20 - 26	27.1 - 35.2		22 - 31	29.8 - 42
M10	4T	1.50	20 - 25	27.1 - 33.9	1.25	20 - 29	27.1 - 39.3
	7T		34 - 40	46.1 - 54.2		35 - 47	47.4 - 63.7
	8T		38 - 46	51.5 - 62.3		40 - 52	54.2 - 70.5
M12	4T	1.75	28 - 34	37.9 - 46.1	1.25	31 - 41	42 - 55.6
	7T		51 - 59	69.1 - 79.9		56 - 68	75.9 - 92.1
	8T		57 - 66	77.2 - 89.4		62 - 75	84 - 101.6
M14	4T	2.00	49 - 56	66.4 - 75.9	1.50	52 - 64	70.5 - 86.7
	7T		81 - 93	109.8 - 126		90 - 106	122 - 143.6
	8T		96 - 109	130.1 - 147.7		107 - 124	145 - 168
M16	4T	2.00	67 - 77	90.8 - 104.3	1.50	69 - 83	93.5 - 112.5
	7T		116 - 130	157.2 - 176.2		120 - 138	162.6 - 187
	8T		129 - 145	174.8 - 196.5		140 - 158	189.7 - 214.1
M18	4T	2.00	88 - 100	119.2 - 136	1.50	100 - 117	136 - 158.5
	7T		150 - 168	203.3 - 227.6		177 - 199	239.8 - 269.6
	8T		175 - 194	237.1 - 262.9		202 - 231	273.7 - 313
M20	4T	2.50	108 - 130	146.3 - 176.2	1.50	132 - 150	178.9 - 203.3
	7T		186 - 205	252 - 277.8		206 - 242	279.1 - 327.9
	8T		213 - 249	288.6 - 337.4		246 - 289	333.3 - 391.6

# PARTS BREAKDOWN / NOMENCLATURE DES PIÈCES SUBFRAME / SOUS-CHÂSSIS

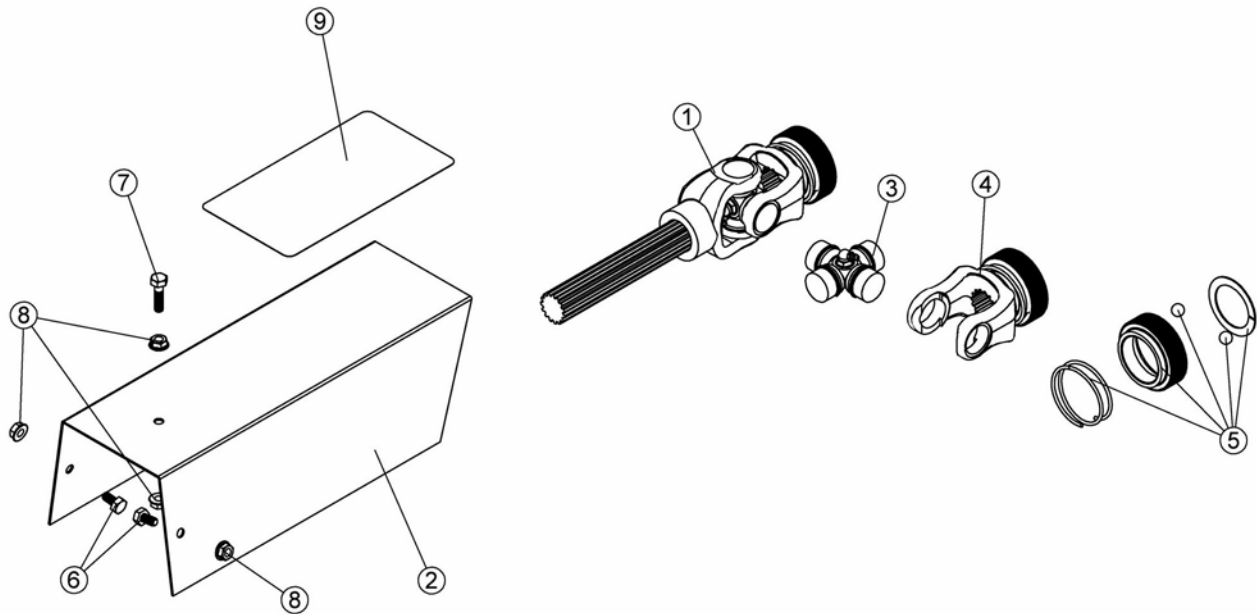


## PARTS LIST / LISTE DES PIÈCES

Ref. Réf.	English description	Description française	Qty. Qté.	Part # Pièce #
1	Subframe	Sous-chassis	1	102906
2	Pivot support	Support de pivot	1	103345
3	Lift bracket	Support de relevage	1	102902
4	Lever	Levier	1	102907
5	Handle support	Support de manivelle	1	102899
6	Push tube	Tube de poussée	1	102905
7	Spring lock right	Ressort de barrure droit	1	102209
8	Spring lock left	Ressort de barrure gauche	1	102208
9	Handgrip	Poignée	2	102248
10	Spring bracket	Fixation du ressort	2	102210
11	Hex bolt 5/16" n.c. x 1"	Boulon hex. 5/16" n.c. x 1"	2	O/L
12	Flange nut 5/16" n.c.	Écrou a bride 5/16" n.c.	4	O/L
13	Hex bolt 5/16" n.c. x 3/4"	Boulon hex. 5/16" n.c. x 3/4"	2	O/L
14	Hex bolt 1/2" n.c. x 1 3/4"	Boulon hex. 1/2" n.c. x 1 3/4"	2	O/L
15	Flat washer 9/16" hole	Rondelle plate 9/16" trou	4	O/L
16	Lock washer 1/2"	Rondelle de blocage 1/2"	2	O/L
17	Nylon Insert Lock Nut 1/2" n.c.	Ecrou a garniture de nylon 1/2" n.c.	2	O/L
18	Sleeve	Douille	2	103346
19	Plastic grommet	Oeillet de plastique	1	102063
20	Adjusting rod	Tige d'ajustement	1	102653
21	Hair pin 3 mm	Goupille à ressort 3 mm	8	102617
22	Pin 0.50 x 1.92	Goupille 0.50 x 1.92	3	102188
23	Pin 0.53" x 2.13"	Goupille 0.53" x 2.13"	1	102079
24	Pin 0.50 x 2.52	Goupille 0.50 x 2.52	1	102189
25	Sleeve	Douille	2	102909
26	Stover lock nut 1/2" n.c.	Écrou de blocage 1/2" n.c.	2	O/L
27	Pin	Goupille	1	102910
28	Spring	Ressort	1	103073
29	Hex bolt 3/8" n.c. x 1-1/4"	Boulon hex. 3/8" n.c. x 1 1/4"	1	O/L
30	Flange nut 3/8" n.c.	Écrou a bride 3/8" n.c.	2	O/L
31	Hair pin 2.5 mm.	Goupille à ressort 2.5 mm	2	102013
32	Pin 0.38" x 1.00"	Goupille 0.38" x 1.00"	1	103077
33	Attaching plate	Plaque d'attache	1	103171
34	Handle extension	Extension de manivelle	1	103174

O/L = Obtain locally/obtenir localement

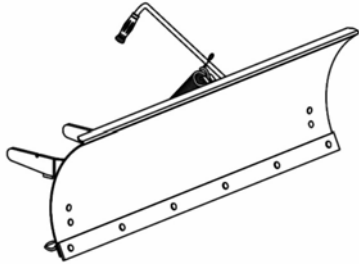
# PARTS BREAKDOWN / NOMENCLATURE DES PIÈCES HALF P.T.O./ DEMI ARBRE À CARDAN



Ref. Réf.	English description	Description française	Qty. Qté.	Part # Pièce#
1	Half telescopic driveline	Demi arbre a cardan	1	102927
2	Extension guard	Garde d'extension	1	102934
3	Universal Joint Kit	Joint universel	1	102928
4	Quick disconnect yoke ass.	Fourche a/accouplement rapide	1	102935
5	Spring lock yoke repair kit	Barrure à ressort pour fourche	1	102936
6	Hex bolt 1/4" n.c. x 1/2"	Boulon hex. 1/4" n.c. x 1/2"	2	O/L
7	Hex Bolt 1/4" n.c. x 1"	Boulon hex. 1/4" n.c. x 1"	1	O/L
8	Flange nut 1/4" n.c.	Ecrou a bride 1/4" n.c.	4	O/L
9	Danger decal	Décalque danger	1	102190

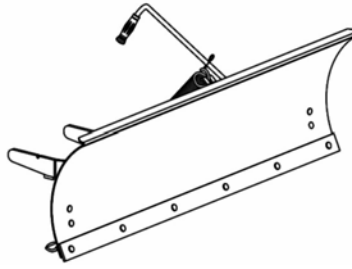
O/L = Obtain locally/obtenir localement

# ATTACHMENTS



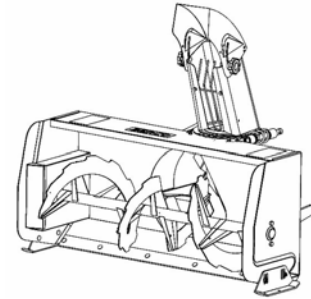
**48" UTILITY BLADE #700266**

Mounts on the same subframe as the snowblower & rotary broom.



**54" UTILITY BLADE #700315  
HYDRAULIC ANGLING KIT #700318**

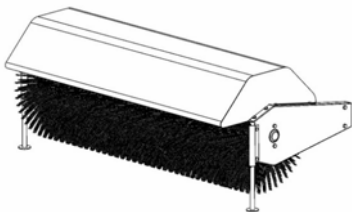
Mounts on the same subframe as the snowblower & rotary broom.



**SNOWBLOWER**

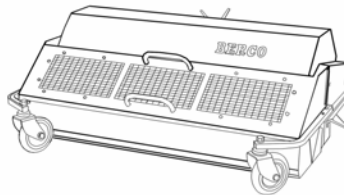
- #700210 40"
- #700211 44"
- #700255 40"
- #700300 48"

Fits on same subframe as rotary broom and utility blade.



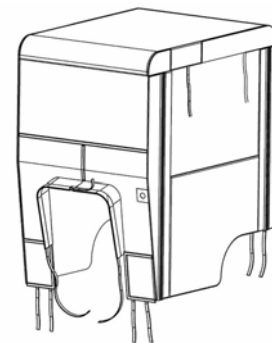
**ROTARY BROOM  
#700286 with nylon brush  
/#700316 with polypropylene brush.**

Fits on same subframe as snowblower & utility blade. Requires an adaptor.



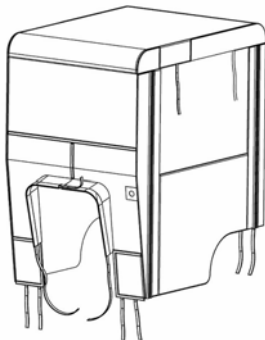
**DEBRIS COLLECTOR #700235**

Quickly & easily fitted on front of rotary brooms #700286 and #700316. Collects debris in container with easy manual dumping. Reduces dust.



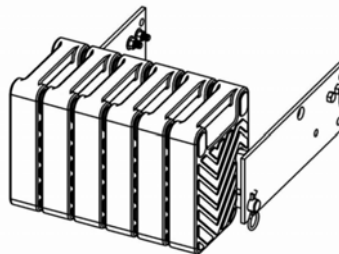
**TRACTOR WINTER CAB  
#700271**

Universal type fits on a wide variety of lawn and garden tractors.



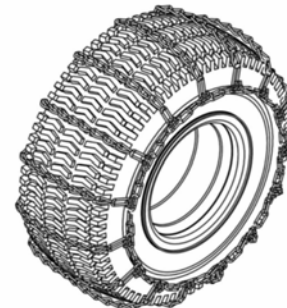
**TRACTOR SCREEN CAB  
#700313**

Universal type fits on a wide variety of lawn and garden tractors.



**COUNTERWEIGHT**

#700240 Universal rear weights  
#700246 Rear weights Electrolux  
Required for safety and traction. Counterbalances weight of attachment.



**TIRE CHAINS**

Two link spacing. Required for traction and safety.  
Pkg. of 2