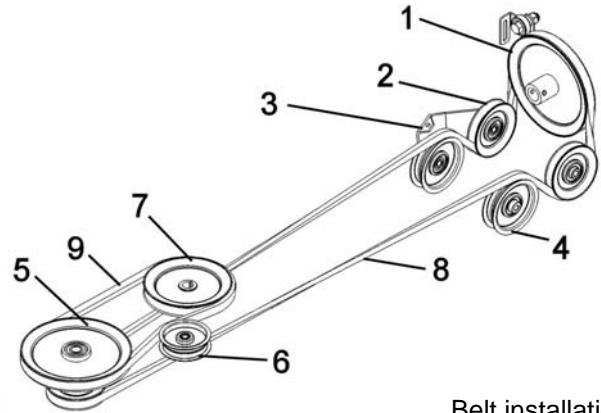


MAINTENANCE

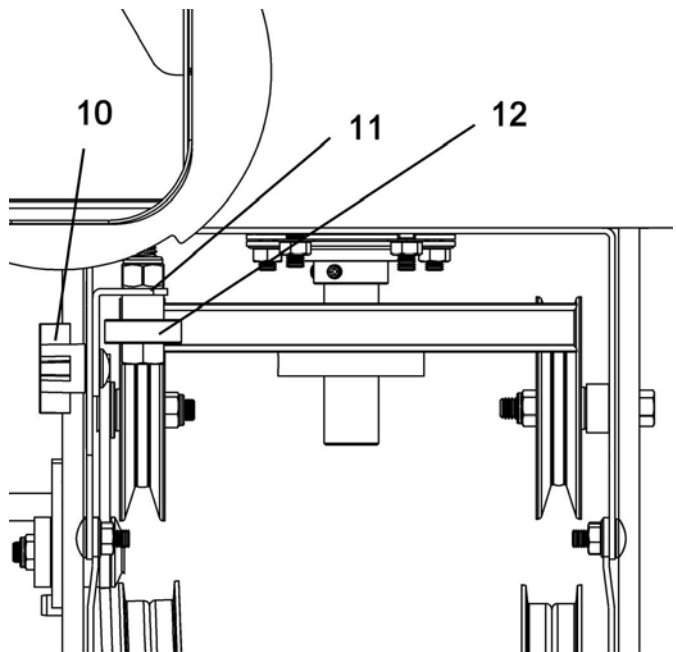
BELT INSTALLATION, ADJUSTMENT, AND REPLACEMENT: SNOWBLOWER BELT:

- a) Lower the snowblower to the ground.
- b) Remove the belt guard.
- c) Loosen the knob (item 10) of the bearing support (item 11).
- d) Install the belt as shown.



- Item 1: Snowblower pulley
Item 2: V pulley
Item 3: Tension arm
Item 4: Flat pulley
Item 5: Drive mechanism pulley
Item 6: Flat pulley
Item 7: Engine pulley
Item 8: Snowblower belt
Item 9: Drive mechanism belt

- e) Adjust the ball bearing support (bracket) (item 11) on the belt. Push on the bearing (item 12) to apply a slight pressure on the back of the belt (just enough to hold the belt in place). It is normal that the bearing is off centre (towards the back of the snowblower) on the pulley. Just make sure that it does not come into contact with the wall of the pulley.
Tighten firmly with the knob (item 10).



Position the bearing support

MAINTENANCE

- f) Apply tension to the belt by pulling up the tension arm (item 1).
After installation of the snowblower belt, make sure there is enough tension on the belt. To obtain the proper tension, the distance between the coils of the spring should be .25" (1/4") approx.
If not, remove the bolt, sleeve and the spring (item 3) from the original hole and reinstall them in the second hole (item 2). This will apply more tension on the belt helping to prevent it from slipping in the pulleys.
- g) Engage the snowblower for a few seconds under supervision. Stop the engine. Inspect the belt to make sure it does not interfere with any parts; that it is well inserted in the pulleys and that it has not flipped on it's side while still on the pulleys. The V of the belt **must be in** the V of the pulleys. The back of the belt **must rest on** the flat pulleys (D) as shown.
- h) Reinstall the belt guard.
- g) Use genuine belts only, they are specifically fabricated for this application.

NOTE: Belts must be under high tension at all times. If spring is damaged or stretched, you must replace it.



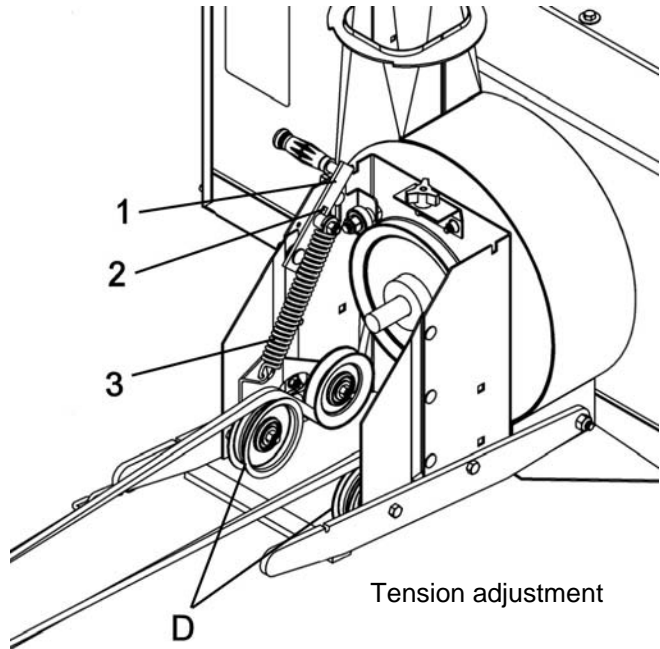
WARNING



TO PREVENT INJURIES:

It is the person who installs the drive mechanism responsibility to make sure that when the clutch is disengaged that all moving parts stop.

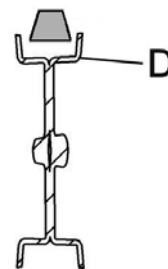
For more information, do not hesitate to contact the technical support.



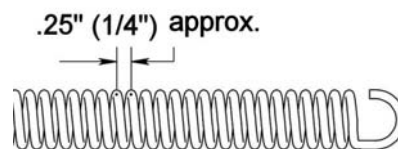
CAUTION



The belt tension and lift assist spring arm are spring loaded & need to be held firmly while displacing to prevent injury.



Belt Insertion



Distance between coils



CAUTION



Never use the snowblower without the belt guard.